



## 2700 SERIES

# STRIPSWITCH® PRINTED CIRCUIT BOARD SWITCHES

*The 2700 Series STRIPSWITCH® combines the many advanced features of the original 2100 Series into a compact, fully sealed switch design suitable for wave soldering and automated cleaning processes.*

The 2700 Series features legends located on both the top and side of the thumbwheel for maximum design flexibility and user convenience. Available options for the 2700 Series include ¼" and ½" extended shafts, black or white thumbwheels, stops, and a wide variety of 10 and 16 position binary and decimal coded outputs. Custom rotor markings are also available in all 2700 Series versions. The 2700 Series STRIPSWITCH is covered by EECO's exclusive *Lifetime Warranty*.

All 2700 Series products are **Lead-Free** and fully **RoHS compliant**.



## SPECIFICATIONS

### MECHANICAL

No. of Switching Positions	10 And 16
Life	100,000 Detents At +25°C
Rotational Torque (Initial)	2.5 – 8.5 Inch/Ounces
Weight	0.173 Oz (4.9 Gr.)

### ELECTRICAL

Maximum Electrical Current, Non-Switching	3A
Maximum Rated Load, Switching	125 mA at 28 VDC Resistive
Switch Circuit Resistance (Initial)	100 mΩ Maximum
Insulation Resistance	1,000 MΩ Minimum At 100 VDC
Dielectric Withstanding Voltage	250 VAC (RMS) All 2 Pole And 16 Position 500 VAC (RMS) All Others

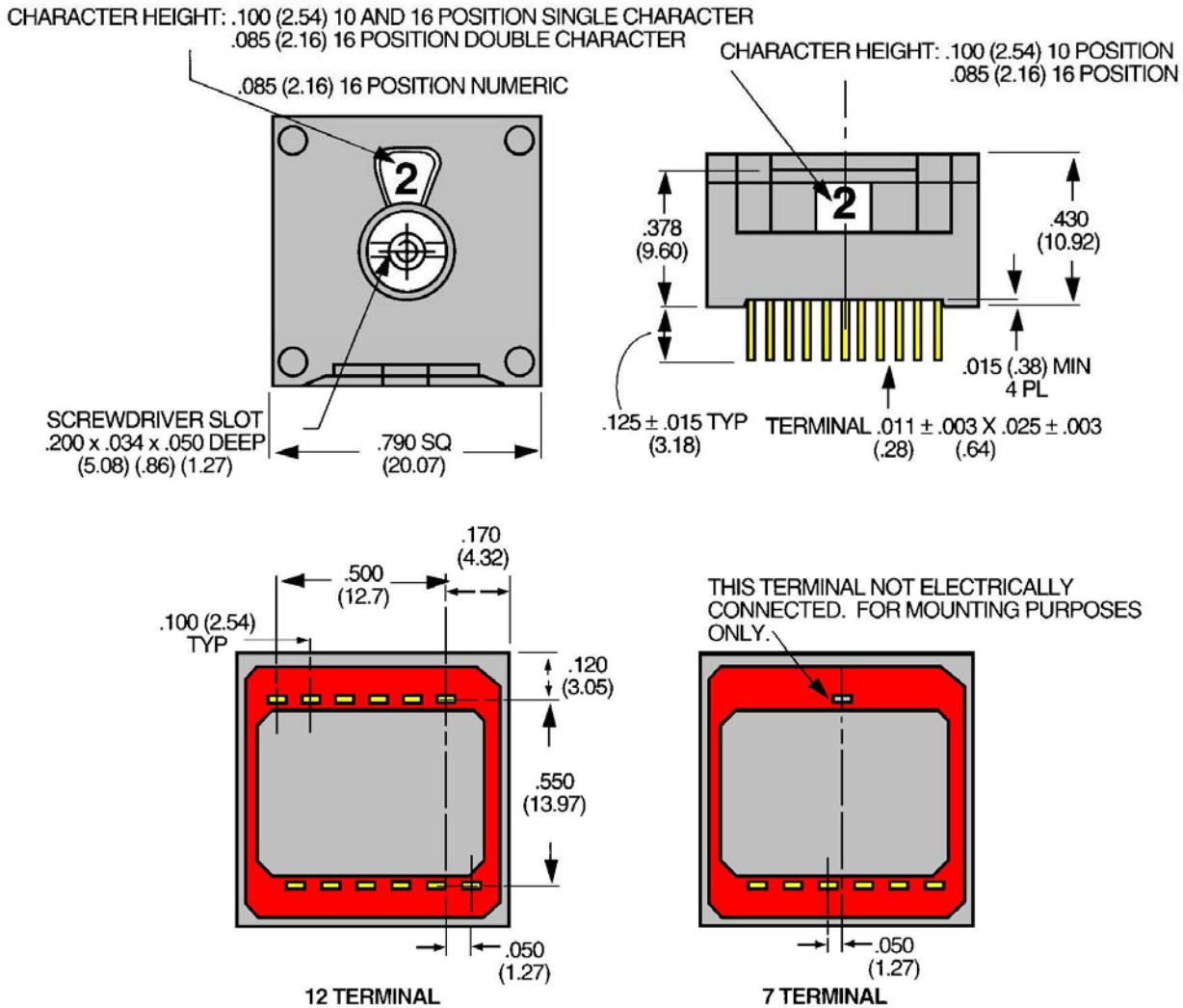
### ENVIRONMENTAL

Storage Temperature	-65°C To +125°C
Operating Temperature	-65°C To +85°C
Vibration	15 G, 10 to 2,000 Hz, Method 204 Of Mil-Std 202, Test Condition B
Moisture Resistance	Method 106, Mil-Std 202, 50 VDC
Humidity	Method 103B, Mil-Std 202, Test Condition A, 50 VDC
Solvent Resistance	Method 215, Mil-Std 202
Seal	Top: O-Ring Bottom: Epoxy

### MATERIALS

Housing and Thumbwheel	Glass Reinforced Polyester, UL 94 V0
Contact	Copper Alloy Base, Gold Over Nickel Plate
Terminal	Matte Tin With Whisker Inhibitors Over Nickel Plate
O-Ring	Silicone Rubber Per ZZ-R-765B
Circuit Disc	
Base Material	Glass Epoxy Laminate
Plating	Gold Over Nickel Plate

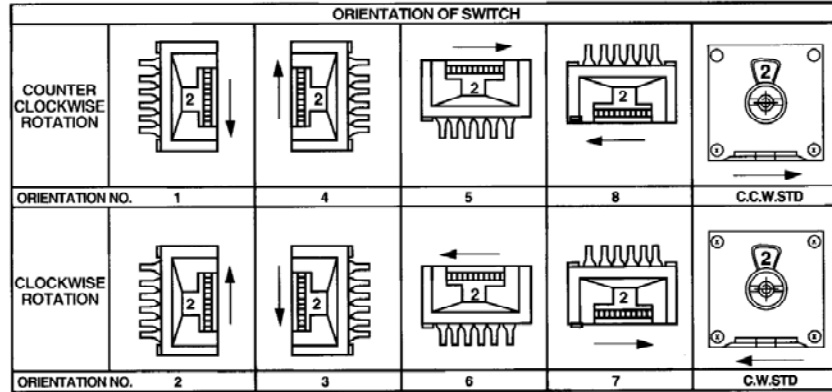
## OUTLINE DIMENSIONS



## RoHS COMPLIANCE

EECO Switch is fully committed to complying with the European Lead-Free and RoHS directives. All EECO 2700 Series switches marked with the "Pb-Free" logo on the body of the part are 100% lead-free and comply with the relevant RoHS requirements.

# ORIENTATION DESIGNATORS AND PCB LAYOUT DATA



CODE NUMBER TRUTH TABLE	-01 A02	-02 B02	-11 S01	-12 C12	-17 C15	-19 C13	-28 C02	-29 & -85 C06
CW								
CCW								

CODE NUMBER TRUTH TABLE	-31 & -41 C16	-33 & -34 B07	-56 D02	-57 & -58 D06	-64 A09
CW					
CCW					

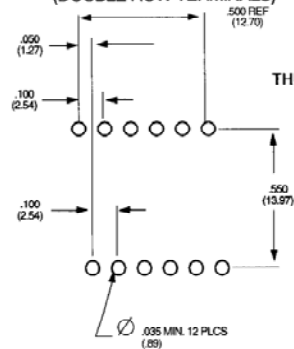
VIEWS SHOWN ARE OF TERMINAL SIDE OF SWITCH WITH THUMBWHEEL OPENING AT TOP.

CW: CLOCKWISE

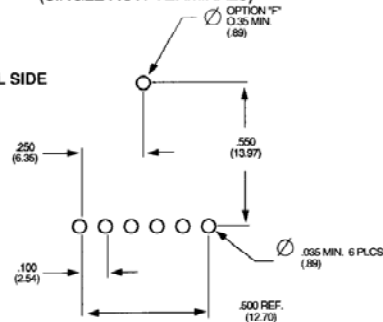
CCW: COUNTER-CLOCKWISE

NOTE:  
ALL "C" OR "C" TERMINALS MUST BE CONNECTED TOGETHER EXTERNAL TO SWITCH.

PCB LAYOUT - BOTTOM VIEW  
(DOUBLE ROW TERMINALS)



PCB LAYOUT - BOTTOM VIEW  
(SINGLE ROW TERMINALS)



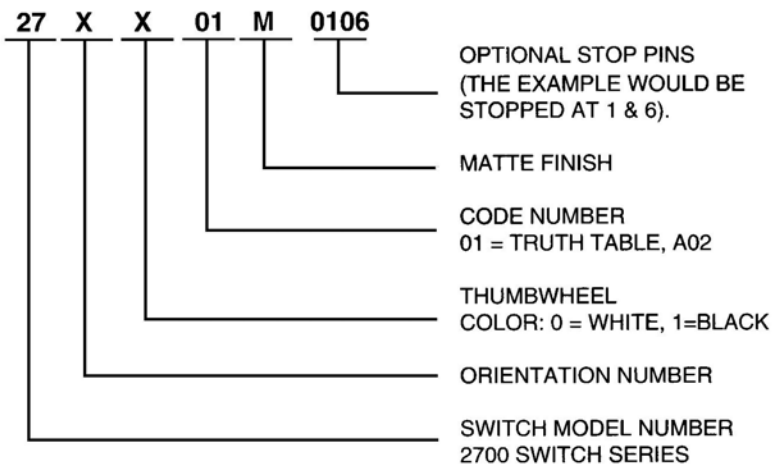
Refer to EECO Switch document "Soldering and Cleaning Specifications" for processing information.

# PART NUMBERS AND FEATURES

PART NUMBER	SWITCH DESCRIPTION	NUMBER OF POSITIONS	TRUTH TABLE
<b>SINGLE POLE DECIMAL</b>			
27XX01M	Decimal	10	A02
<b>SINGLE POLE BINARY</b>			
27XX02M	BCD 1-2-4-8	10	B02
27XX12M	BCD 1-2-4-8 Complement	10	C12
27XX17M	Complement of 9's Complement	10	C02
27XX19M	9's Complement 1-2-4-8	10	C15
27XX28M	BCD 1-2-4-8 With Complement	10	C02
27XX29M	BCH 1-2-4-8 W With Complement, 0-15 Marking	16	C06
27XX31M	BCH 1-2-4-8 Complement, 0-15 Marking	16	C16
27XX33M	BCH 1-2-4-8 0-15 Marking	16	B07
27XX34M	BCH 1-2-4-8 0-9-A-F Marking	16	B07
27XX41M	BCH 1-2-4-8 Complement, 0-9-A-F Marking	16	C16
27XX85M	BCH 1-2-4-8 W With Complement, 0-9-A-F Marking	16	C06
<b>DOUBLE POLE BINARY</b>			
27XX56M	BCD 1-2-4-8 W/Separate Common to Not True Bits	10	D02
27XX57M	BCD 1-2-4-8 W/Separate Common to Not True Bits 0-15 Marking	16	D06
27XX58M	BCD 1-2-4-8 W/Separate Common to Not True Bits 0-9-A-F Marking	16	D06
<b>SPECIAL PURPOSE CODES</b>			
27XX11M	2 Pole Repeating, + / -	10	S01
27XX64M	2 Pole 4 Position Decimal Repeating	10	A09

## ORDERING INFORMATION

### PART NUMBER EXAMPLE:



XX ... TO COMPLETE PART NUMBER.  
REPLACE FIRST X WITH ORIENTATION NUMBER FOUND ON PREVIOUS PAGE.  
REPLACE SECOND X WITH NUMBER DESIGNATING COLOR.

### OPTIONS

V-1/2" Extended Shaft  
Y-1/4" Extended Shaft  
Stops, decimal point, colored rotors, special marking. Consult factory for additional information.